



VERS-UTIL® 114 SERIES CURTAIN TRACKS



Model 114 Assembly

VERS-UTIL® MODEL 114

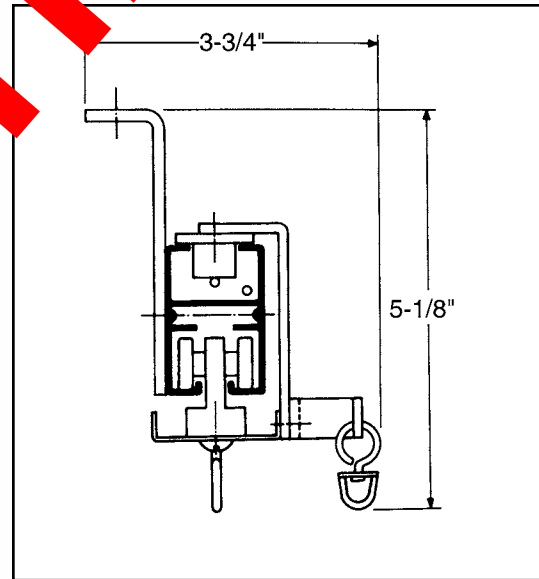
VERS-UTIL® is a reverse-curvable, aluminum track which can be either manually operated or motorized. The track can be one-way draw or bi-parting and is used for light to medium-weight draperies on small stages, curved windows, room dividers, etc. The operating cord is concealed in the upper channel of the track.

VERS-UTIL® MODEL 114-BS, 114-BC

VERS-UTIL® is a reverse-curvable, aluminum track which can be either manually operated or motorized. The track can be one-way draw or bi-parting and is used for light to medium-weight draperies on small stages, curved windows, room dividers, etc. The operating cord is concealed in the upper channel of the track. These models are equipped with Model 1131-B ball-bearing carriers.

A sketch or template is required with each order for Model 114 curved tracks, as the channel must be factory-curved.

Minimum radius: 1' (layout dependent)



Cross Section
of 114 Track
Min. pocket width: 5 in.

114

DISCONTINUED