

## INSTALLATION INSTRUCTIONS FOR FLEX-I-TRAC MODELS 132, 132-A, 132-B, 132-C

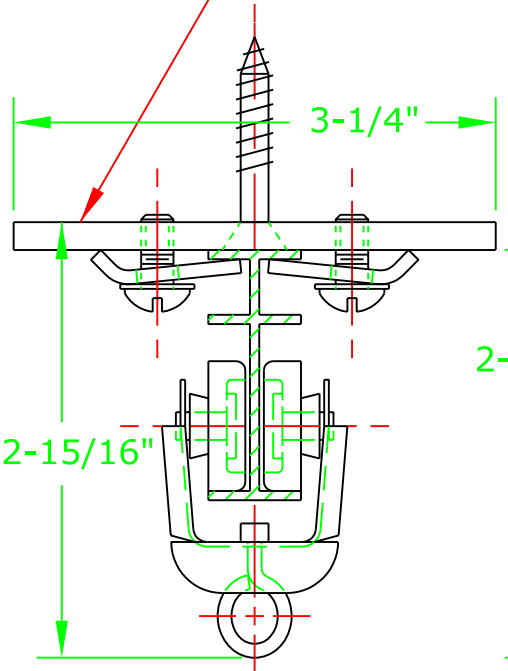
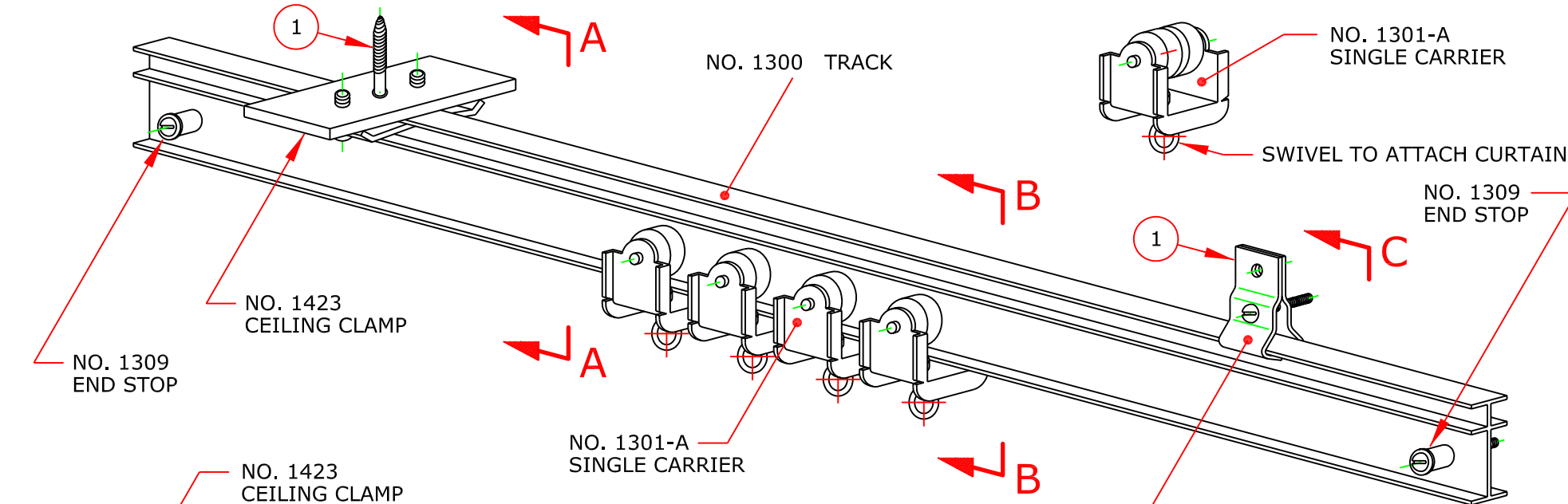
---

1. If the track requires curving do so now. Follow instructions on curving track for bending tool being used.
2. If tracks need to be spliced, install the splice clamps now. Be sure to check the alignment of the tracks and the condition of the ends of the track sections. If the ends of the tracks have burrs or a rough edges, remove them with a file. The sections of the Model 1324 splice clamps are positioned between the top and middle flange of the Model 1300 track.
3. Install the 1308 hanging clamps or 1423 ceiling clamps with the hardware provided. Spacing between these device should not exceed 4 feet. Clamps should be placed on either side of each splice, each sharp curve, and along the curve of the track if the curve radius is large.
4. Lift track to its desired location and secure with appropriate hardware and suspension media if needed.
5. Install the carriers to the track by sliding them onto the bottom flange of the track.
6. Install a 1309 End Stop to each open end of track.
7. A tow line or baton may be attached to the lead carrier to reduce the stress on the curtain fabric as it is operated.
8. A 1-1/4" pipe stiffener is recommended to provide support all suspended tracks, particularly curved track systems.

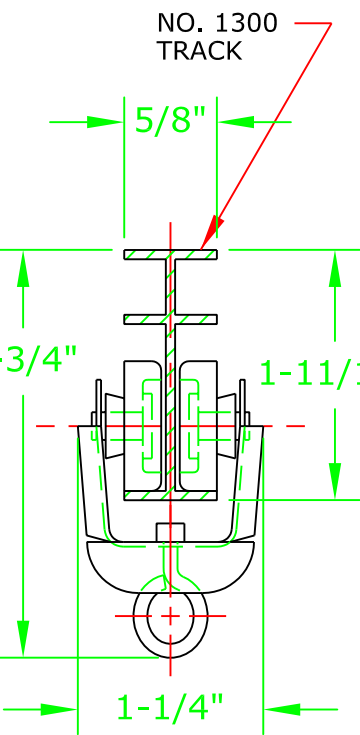
### **TRACK MODEL**

### **CARRIER PROVIDED**

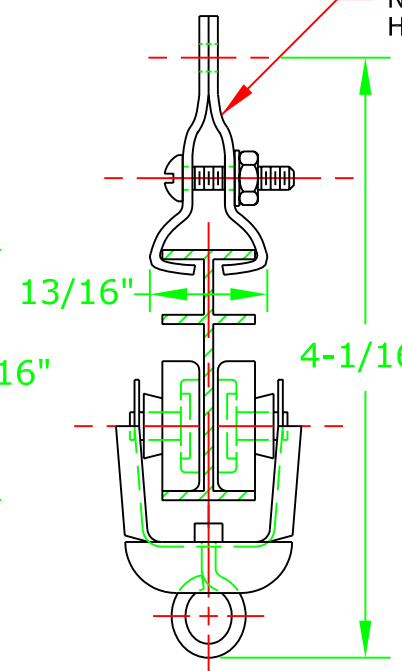
132	1301
132-A	1301-A
132-B	1337
132-C	1337-A



**SECTION A-A**  
SCALE: 3/4"=1"



**SECTION B-B**  
SCALE: 3/4"=1"



**SECTION C-C**  
SCALE: 3/4"=1"

**NOTES:**

- 1 TRACK SYSTEM MUST BE MOUNTED DIRECTLY TO AN OVERHEAD STRUCTURE USING EITHER NO. 1423 CEILING CLAMPS OR NO. 1308 HANGING CLAMPS.

**ado** AUTOMATIC DEVICES COMPANY  
2121 S. 12TH ST. ALLENTOWN, PA 18103

THIS DRAWING HAS BEEN PREPARED AS A SERVICE TO OUR CUSTOMER AND IS INTENDED ONLY TO BE SUGGESTIVE IN NATURE AND IS NOT TO BE USED AS AN ACTUAL INSTALLATION DRAWING. PREVAILING JOB CONDITIONS AND ACCEPTED PRACTICES MUST BE TAKEN INTO ACCOUNT WHEN THE EQUIPMENT IS INSTALLED.

SIZE <b>A</b>	DATE <b>8/13/04</b>	SERIES <b>MODEL 132-A FLEX-I-TRAC CURTAIN TRACK</b>
DRAWN BY <b>JEK</b>	APPROVED BY	DESCRIPTION <b>INSTALLATION DRAWING WALK-ALONG OPERATION</b>
SCALE <b>3/8"=1</b>	SHEET <b>1 OF 1</b>	DWG NO. <b>II-132AWA-1-04</b>